

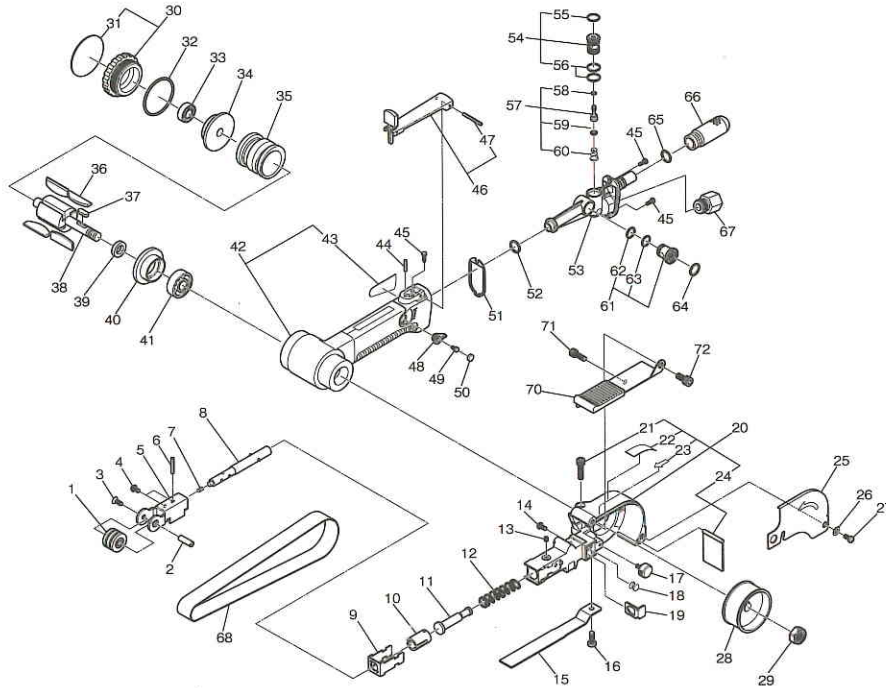
## 9.Exploded Diagram and Parts List: B-20N

### Warning

This diagram is for reference only. Do not attempt to service or repair the Nitto Pneumatic belt sander, Do not take the Tool apart. Contact an authorized Nitto dealer for all service and repair of the Tool. Improper service and repair can cause accidents and severe injuries.

Never attempt to modify the Tool.

Never attempt service or repair the Tool yourself.



No.	Part No.	Part Name	Q'ty	Price
1	TA99885	Idle Pulley A Sub Ass'y	1set	
2	TQ11616	Idle Pulley Shaft	1	
3	TP16219	Hex. Countersunk Head Screw 4X10	1	
4	TQ11400	Hex. Socket Button Head Screw4X8	2	
5	TB07747	Bracket Sub Ass'y A	1set	
6	TP03544	Spring Pin3X16 AW	1	
7	TQ10526	Tension Bar Spring	1	
8	TB07777	Tension Bar Shaft Ass'y	1set	
9	TQ11610	Stopper	1	
10	TQ11609	Guard Insert	1	
11	TQ11620	Push Rod	1	
12	TQ11621	Spring1.6X11X45	1	
13	TP15643	Hex. Socket Set Screw 4X4 with Flat Point	1	
14	TQ11659	Hex. Socket Button Head Screw 3X6	1	
15	TQ11611	Shoe	1	
16	TQ11660	Pan Head Screw 5X6	1	
17	TQ10712	Decorative Screw	1	
18	TQ07218	Spring 0.35X7.5X7	1	
19	TQ11622	Push Button	1	
20	TB08068	Guard Sub Ass'y B	1set	
21	(TP04532)	Hex. Socket Head Cap Screw 5X30	1	
22	(TP16361)	Label Caution	1	
23	(TP16360)	Label Rotation	1	
24	(TP16207)	Dust Cover	1	
25	TQ11618	Belt Cover	1	
26	TP00144	Washer M4	1	
27	TP12819	Pan Head Screw4X6	1	
28	TQ11617	Drive Pulley	1	
29	TP01918	Hex. Nut M10	1	
30	TB07958	Cap Ass'y	1set	
31	(TQ11824)	Label Model B-20N	1	
32	CQ04413	O-ring S-38	1	
33	TP00468	Ball Bearing 608ZZ	1	
34	TP01907	End Plate A	1	
35	TP10000	Cylinder	1	
36	TA9A212	Blade Ass'y(4pcs/set)	1set	
37	TP00502	Parallel Key Both Ends Round 4X4X9.5	1	
38	TP01909	Rotor	1	
39	TP01912	Spacer	1	
40	TP01911	End Plate B	1	
41	TP01913	Ball Bearing 6000ZZ	1	

No.	Part No.	Part Name	Q'ty	Price
42	TB07957	Housing Sub Ass'y	1set	
43	(TQ11822)	Label Warning	1	
44	TQ11559	Parallel Pin 3X14	1	
45	TQ11560	Tapping Screw 3X8	3	
46	TB07709	Lever Ass'y	1set	
47	(TP00460)	Spring Pin 3X22AW	1	
48	TQ11554	Adjust Lever	1	
49	TP08598	Pan Head Screw3X5	1	
50	TQ11626	Lever Cap	1	
51	TQ11555	Packing	1	
52	CQ14480	O-ring JASO-1010	1	
53	TQ11551	Air Inlet	1	
54	TB07938	Throttle Valve Ass'y	1set	
55	(TP14604)	O-ring S-10	1	
56	(TP12569)	O-ring S-11.2	2	
57	TB07708	Valve Stem Ass'y	1set	
58	(TQ10395)	O-ring SS-2.5	1	
59	(TP11994)	O-ring P-4	1	
60	(TP03769)	Valve Spring	1	
61	TB07937	Adjust Valve Ass'y	1set	
62	(CQ25954)	O-ring AS568-012	1	
63	(CQ05860)	O-ring AS568-013	1	
64	(CP24969)	O-ring JASO-1011	1	
65	TP07031	O-ring S-8	1	
66	(TQ11558)	Silencer	1	
67	TP00857	Bushing M16XPT1/4	1	

#### Standard Accessories

No.	Part No.	Part Name	Q'ty	Price
68	TP15867	Abrasive Belt Z76X #60X20	2	
	TP15868	Abrasive Belt Z76X #80X20	1	
	TP15869	Abrasive Belt Z76X #100X20	1	
	TP15870	Abrasive Belt Z76X #120X20	1	
	TB07908	Finger Pad Sub Ass'y	1set	
	TP00051	Pan Head Screw 5X10	1	
	TP02419	Pan Head Screw 6X10	1	
	TP04305	Hex. Socket Screw Key 2.5	1	
	TP01939	Hex. Socket Screw Key 4	1	
	TQ11686	Convex Shoe	1	
	TP02236	Bushing PT1/4XNPT1/4	1	
	TQ11700	Instruction Manual	1	