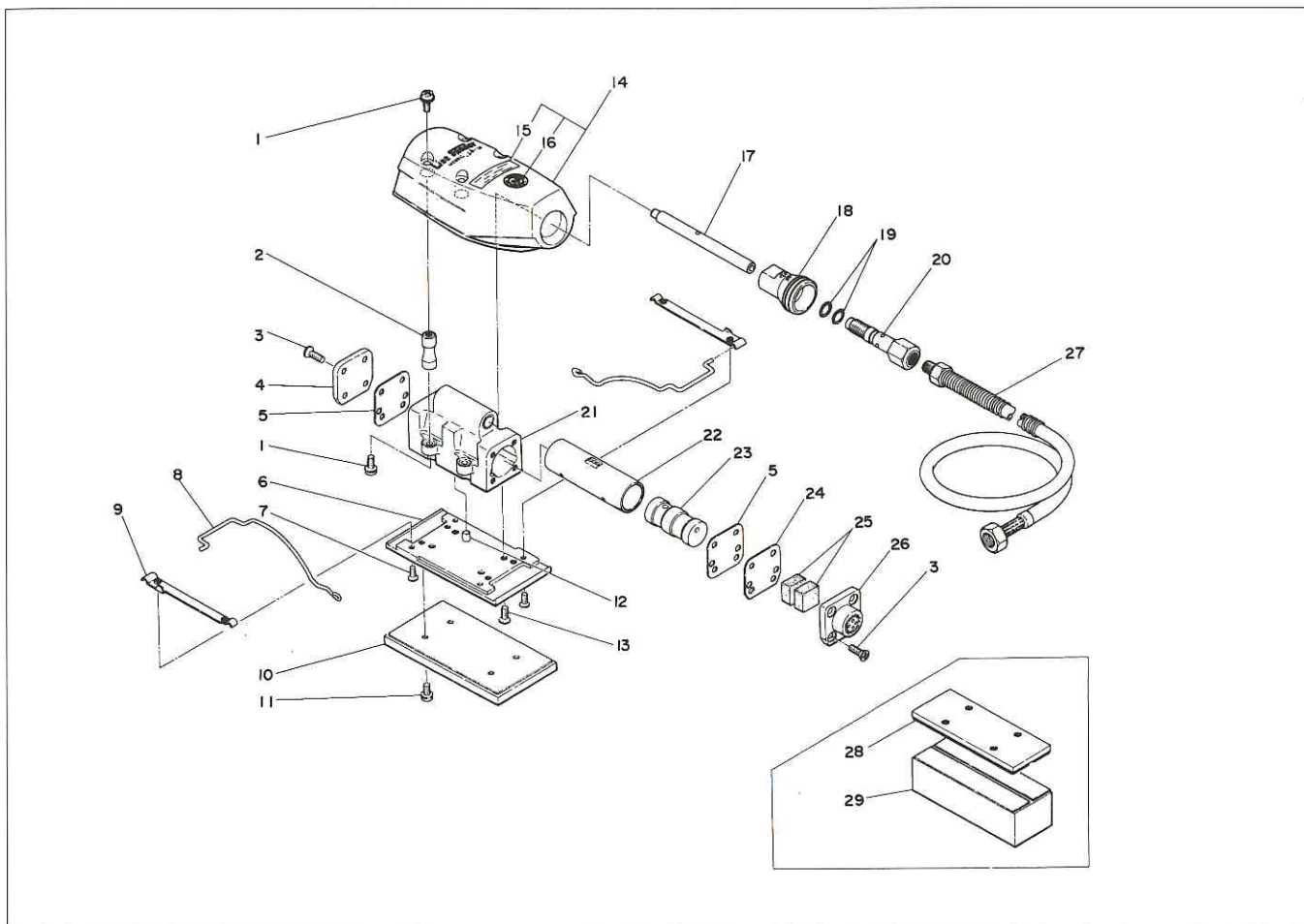


LINE SANDER LS-10 ASSEMBLY AND PARTS LIST



The Part Numbers with () are included in the Ass'y parts written above them.

No.	Part No.	Part Name	Q'ty	Price
1	TP11245	Pan Head Screw M4×10	8	
2	TA96664	Rubber Support Ass'y	4 sets	
3	TP04217	Raised Countersunk Head Screw M4×10	8	
4	TP11249	Cap A	1	
5	TP11251	Packing	2	
6	TP11259	Base Plate	1	
7	TP05709	Hex. Socket Flat Head Screw M3×6	4	
8	TP11260	Clamp Spring	2	
9	TP11261	Clamp Stopper	2	
10	TA96665	Rubber Pad Ass'y	1 set	
11	TP06290	Pan Head Screw M4×8	12	
12	TP12208	Pin 4×6.5	1	
13	TP00123	Countersunk Head screw M4×8	4	

No.	Part No.	Part Name	Q'ty	Price
14	TB02538	Housing Ass'y	1 set	
15	(TQ02207)	Label Warning CE Mark	1	
16	(TP04218)	Label NITTO	1	
17	TP11244	Guide Shaft	1	
18	TP05699	Trigger	1	
19	TP12004	O-Ring P-10	2	
20	TP11258	Valve Nipple	1	
21	TA96660	Cylinder Case Sub Ass'y	1 set	
22	TP11247	Cylinder	1	
23	TP11248	Piston	1	
24	TP11254	Plate	1	
25	TP11253	Filter	2	
26	TP11250	Cap B	1	
27	TB02359	Hose E Sub Ass'y	1 set	
28	TA96738	Base Plate A Ass'y	1 set	
29	TA96739	Block Rubber Pad Sub Ass'y	1 set	