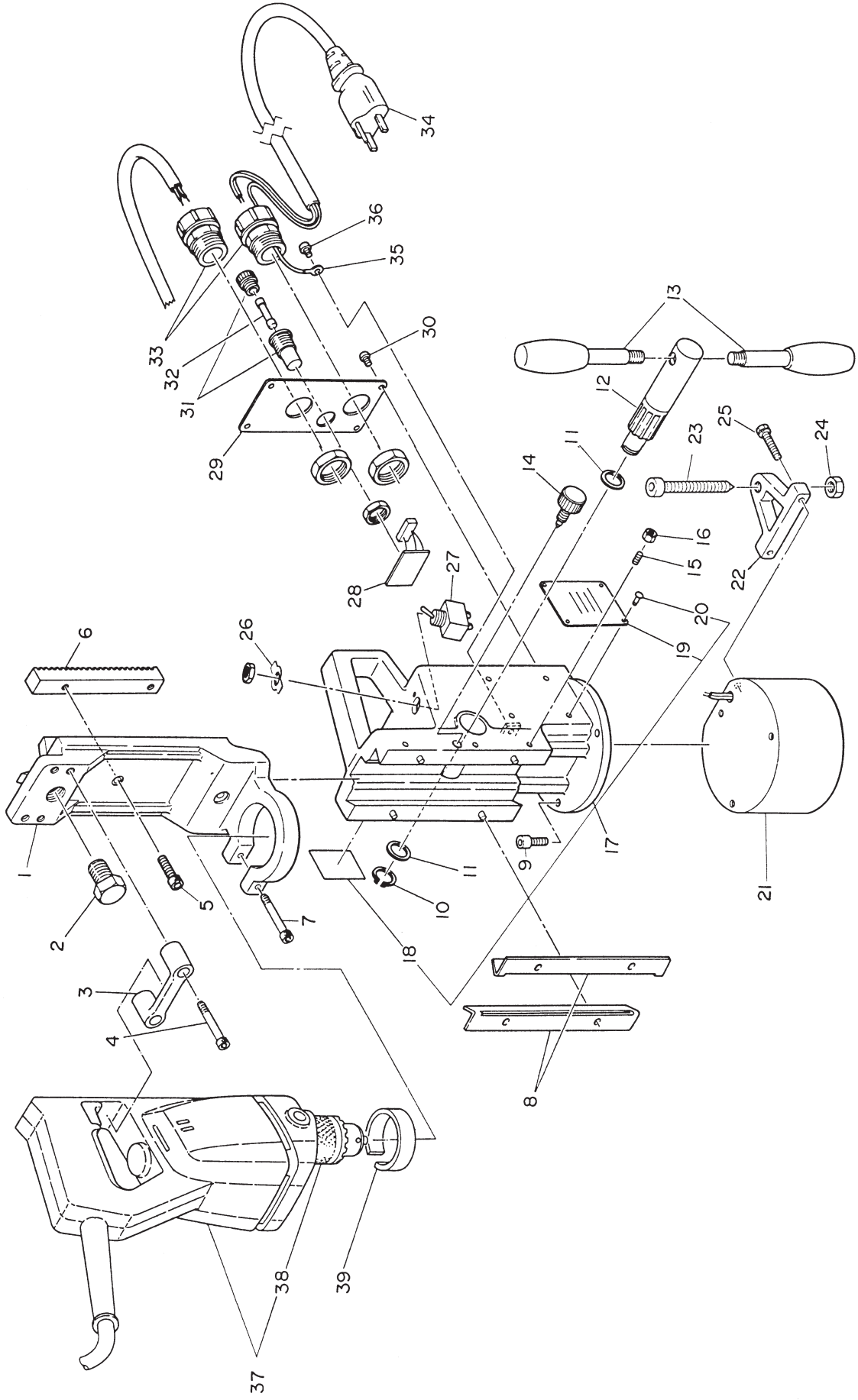


ATRA MASTER M-100D ASSEMBLY AND PARTS LIST



M-100D PARTS LIST

The parts numbers with () are included in the Ass'y parts written above them.

No.	Part No.	Part Name	Q'ty	Price
1	TQ00371	Slide Board	1	
2	TP15299	Hex. Bolt 16 X 25	1	
3	TP17046	Drill Fitting	1	
4	TP04073	Hex. Bolt 6 X 35	2	
5	TP15270	Hex. Bolt 6 X 22	2	
6	TP15111	Rack	1	
7	TP05469	Hex. Bolt 6 X 45	1	
8	TP15103	Slide Plate	2	
9	TP05474	Hex. Socket Bolt 6 X 14	3	
10	TP02539	Retaining Ring G-14	1	
11	TP05463	Pinion Washer 14.2 X 19 X 1	2	
12	TP05461	Pinion Shaft	1	
13	TP05478	Feed Handle	2	
14	TP02931	Set Screw	1	
15	TP04519	Hex. Screw 5 X 18	3	
16	TP02936	Hex. Nut M5	3	
17	TB04608	Body Sub Ass'y	1	
18	(TQ03417)	Warning Name Plate	1	
19	(TQ06076)	Name Plate Specifications	1	
20	TP05136	Rivet No. 2 X 4.8	4	
21	TB04613	Magnet Ass'y	1 set	
22	TQ03686	Stabilizer	1	
23	TQ03687	Stabilizer Shaft	1	
24	TP13840	Hex. Nut M10	1	
25	TQ03340	Hex. Bolt 6 X 25	2	
26	TP00076	Name Plate Switch	1	
27	TQ00334	Switch	1	
28	TQ01079	Print Board	1	
29	TP15107	Electrical Plate	1	
30	TP02618	+ Screw 4 X 8	4	
31	TP02622	Fuse Holder	1	
32	TP00147	Fuse 2A	1 set	
33	TP17142	Cable Connector SC 4-1	2	
34	TB04614	Circuit Board Ass'y	1	
35	TP14359	Pressure Terminal w/Insulation FV 1-25-4	2	
36	LP08489	+ Screw 4 X 6	1	
37	TB04610	Electric Drill Ass'y	1 set	
	(TB00309)	Carbon Brush Ass'y	1 set	
38	(TP08005)	Yukiwa Chuck 10mm	1	
39	TP17000	Drill Bush G	1	

ACCESSORIES

No.	Part No.	Part Name	Q'ty	Price
	TP04305	Hex. Wrench Key 2.5	1	
	TP04004	Hex. Wrench Key 5	1	
	TP14091	Spanner 7 X 8	1	
	TQ06077	Instruction Manual	1	