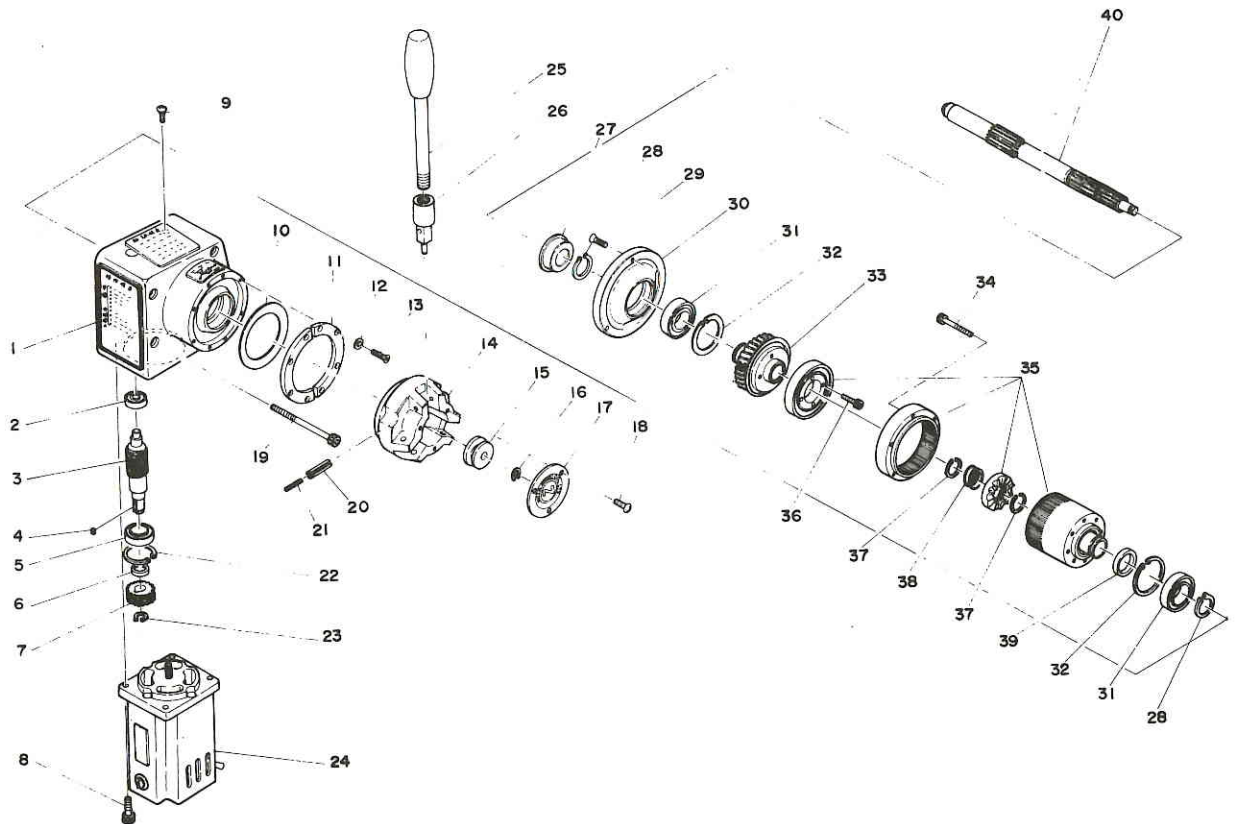
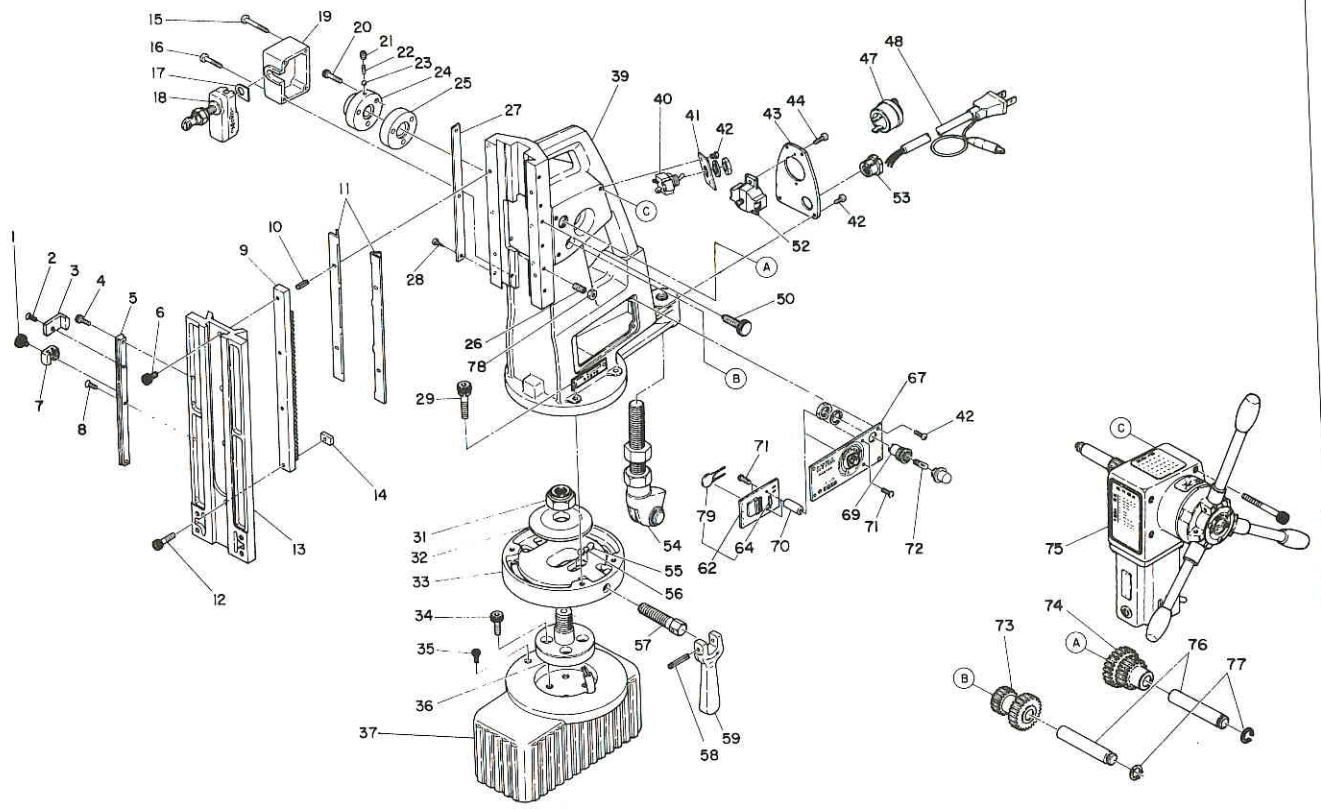


ATRA MASTER M-250B AUTO ASSEMBLY



ATRA MASTER M-250B AUTO PARTS LIST

The parts numbers with () are included in the Ass'y parts written above them.

No.	Part No.	Part Name	Q'ty	Price
1	TP02748	Adjust Bolt	1	
2	TP00155	Cross-Recessed Flat Head Machine Screw 3X8	1	
3	TP06343	Limit Switch Stopper	1	
4	TP06342	Hex. Socket Head Bolt 4X10	2	
5	TP06340	Adjust Guide	1	
6	TP01945	Hex. Socket Head Bolt 5X12	3	
7	TP06341	Pointer	1	
8	TP00112	Cross-Recessed Flat Head Machine Screw 4X10	1	
9	TP06337	Rack	1	
10	TP01920	Spring Pin 3X8	4	
11	TP15622	Slide Plate	2	
12	TP01934	Hex. Socket Head Bolt 5X18	1	
13	TP15624	Slide Board	1	
14	TP02861	Stopper	1	
15	LP02140	Cross-Recessed Pan Head Machine Screw 4X40	2	
16	TP15163	Cross-Recessed Pan Head Machine Screw 4X35	2	
17	TP06356	Washer	1	
18	TP02746	Limit Switch Z-15GQ22	1	
19	TP06355	Limit Switch Box	1	
20	TP06398	Hex. Socket Head Bolt 4X25	3	
21	TP06397	Hex. Socket Headless Setscrew 6X8	3	
22	TP06396	Spring 0.6X4.2X10	3	
23	CP01123	Ball 3/16	3	
24	TP06395	Shaft Stopper	1	
25	TP06394	Spacer C	1	
26	TP02937	Hex. Socket Headless Setscrew 5X20	5	
27	TP05038	Scale Plate	1	
28	TP05136	Rivet #2X4.8	3	
29	TQ03345	Hex. Socket Cap Screw 8X25 With Spring Washer	4	
31	TP12183	Hex. Nut M22X1.5 U Nut	1	
32	TP01742	Circular Washer	1	
33	TP05048	Pole Plate	1	
34	TP02601	Hex. Socket Head Bolt 8X10	4	
35	TP00200	Hex. Socket Head Bolt 5X8	1	
36	TP12184	Radial Shaft	1	
38	TA93730	Magnet Sub Ass'y	1 set	
39	TA99635	Body Sub Ass'y	1 set	
40	TP00054	Switch ET115A12	1	
41	TP05053	Switch Nameplate	1	

No.	Part No.	Part Name	Q'ty	Price
42	TP02618	Cross-Recessed Pan Head Machine Screw 4X8	10	
43	TP12270	Connector Installation Plate	1	
44	TP00153	Cross-Recessed Pan Head Machine Screw 3X12	2	
47	TP00152	Plug	1	
48	TA97433	Power Cord Ass'y	1 set	
50	TP02931	Setscrew	1	
52	TP00151	Receptacle	1	
53	TP01757	Cord Stopper SR-7P-2	1	
54	TA90623	Stabilizer Ass'y	1 set	
55	TP00036	Ball 1/2	2	
56	TP00037	Ball φ 9	1	
57	TP00138	Cam Shaft	1	
58	TP09853	Spring Pin (Double) 5X34	1	
59	TP00041	Lock Handle	1	
60	TP06491	Speed Control	1	
62	TB01397	Printed Circuit Ass'y	1	
64	TP04724	Resistor 390kΩ 1/4W	1	
67	TQ01519	Circuit Board	1	
69	TP00271	Lamp Holder MP-020	1	
70	TQ01510	Spacer P-125	2	
71	TP00056	Cross-Recessed Pan Head Machine Screw 3X6	4	
72	TP00053	Neon Lamp	1	
73	TP02568	Spur Gear A	1	
74	TP02569	Spur Gear B	1	
75	TA97545	Gear Box Ass'y	1 set	
76	TP06344	Gear Shaft	2	
77	TP06345	Stop Ring	1	
78	TP02936	Hex. Nut M5	5	
79	TQ01995	Varistor TNR 15G 471k	1	

ACCESSORIES

	TP16141	Insuruction Manual	1	
	TP00080	Spanner 35X41	1	
	TP00170	Hex. Wrench Key 6	1	
	TP04305	Hex. Wrench Key 2.5	1	
	TP04696	Hex. Wrench Key 3	1	
	TA9A633	Carbon Brush Ass'y	1 set	
	TP14091	Spanner 7X8	1	
	TA99743	Brancket Ass'y	1 set	

*When ordering spare parts, please state the description and part number of the spare part (not the Ref.No.) as well as the model.