

7. EXPLODED DIAGRAM: MAH-05 and MAH-16 PARTS LIST

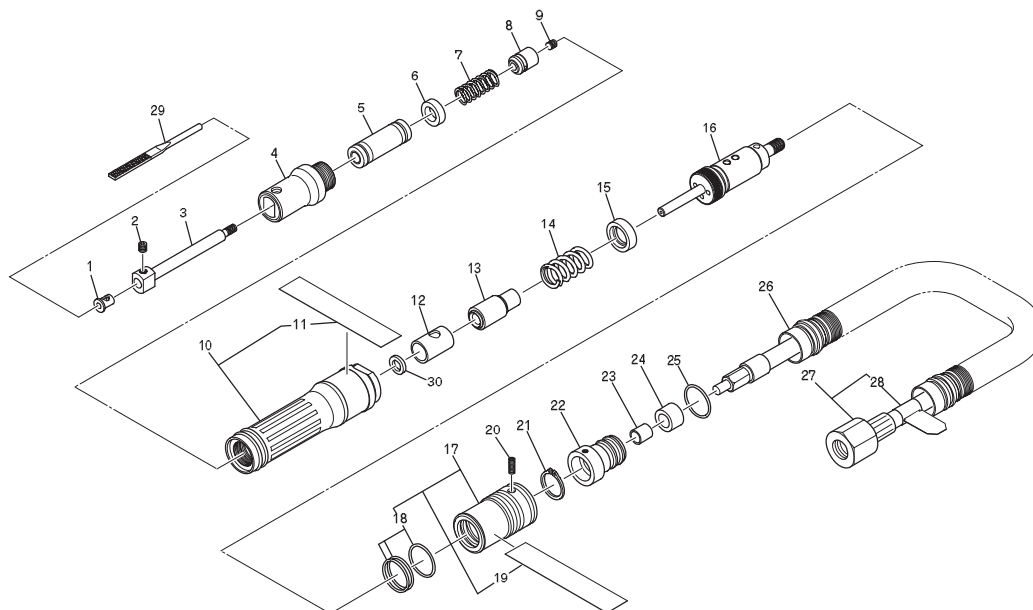
Warning

This diagram is for reference only. Do not attempt to service or repair the Tool. Do not take the Tool apart. Contact an authorized Nitto dealer for all service and repair of the Tool.

Improper service and repair can cause accidents and severe injuries.

Never attempt to modify the Tool.

Never attempt to service or repair the Tool yourself.



The parts numbers with () are included in the Ass'y parts written above them.

Numbers attached with ⊙ are components of MAH-16.

No.	Part No.	Part Name	Q'ty	Price
1	TQ11133	Sleeve φ3	1	
2	TP04123	Hex. Socket Set Screw with Cup Point 4x4	1	
3	TQ11121	Guide Shaft	1	
4	TB07444	Guide Holder Sub Ass'y MAH-05	1set	
⊙ 4	TB07512	Guide Holder Sub Ass'y MAH-16	1set	
5	TQ11134	Slide Bearing	1	
6	TQ11129	Spring Set Collar F	1	
7	TQ11130	Spring 1x8x26	1	
8	TQ11122	Piston	1	
9	TP00639	Hex. Socket Set Screw with Flat Point 4x3	1	
10	TB08818	Housing Ass'y MAH-05	1set	
11	(TQ12931)	Label Warning MAH-05	1	
⊙ 10	TB08819	Housing Ass'y MAH-16	1set	
⊙ 11	(TQ13211)	Label Warning MAH-16	1	
12	TB07450	Cylinder Ass'y MAH-05	1set	
30	TQ11120	Bushing T3.3 MAH-05	1	
⊙ 12	TB07480	Cylinder Ass'y MAH-16	1set	
⊙ 30	TQ12601	Bushing MAH-16	1	
13	TB07500	Counter Weight Sub Ass'y	1set	
14	TQ11131	Spring 1x11.3x27	1	
15	TQ11132	Spring Set Collar R	1	
16	TB07454	Valve Body Ass'y	1set	

No.	Part No.	Part Name	Q'ty	Price
17	TB08817	Valve Sub Ass'y	1set	
18	(CP25836)	O-ring JASO-1016	3	
19	(TQ12930)	Label Warning	1	
20	TQ11158	Hex. Socket Set Screw with Cup Point 3x6	1	
21	TP17226	External Retaining Ring ISTW-14	1	
22	TQ11126	Hose Holder	1	
23	TQ11127	Silencer Bushing	1	
24	TQ11128	Silencer	1	
25	CP28152	O-ring JASO-1012	1	
26	TQ04367	Exhaust Hose	1	
27	TB08131	Air Hose K Ass'y	1set	
28	(TQ11519)	Label Lubrication	1	

Accessories

No.	Part No.	Part Name	Q'ty	Price
	TP13892	Hex. Socket Screw Key 2	1	
		Flat Electro-Plated File #140	1	
29		Rat-Tail Electro-Plated File #140	1	
	TQ13212	Instruction Manual	1	
	TQ10966	Caution for Use	1	
	TP02236	Bushing R1/4xNPT1/4	1	
	TQ12934	Declaration of Conformity	1	
	TQ11487	Attention for Start-up MAH-05/MAH-16	1	

Guide holder sub-Ass'y [MAH-16] has two grooves on its exterior. Component numbers in parentheses indicate a component of the above Ass'y.