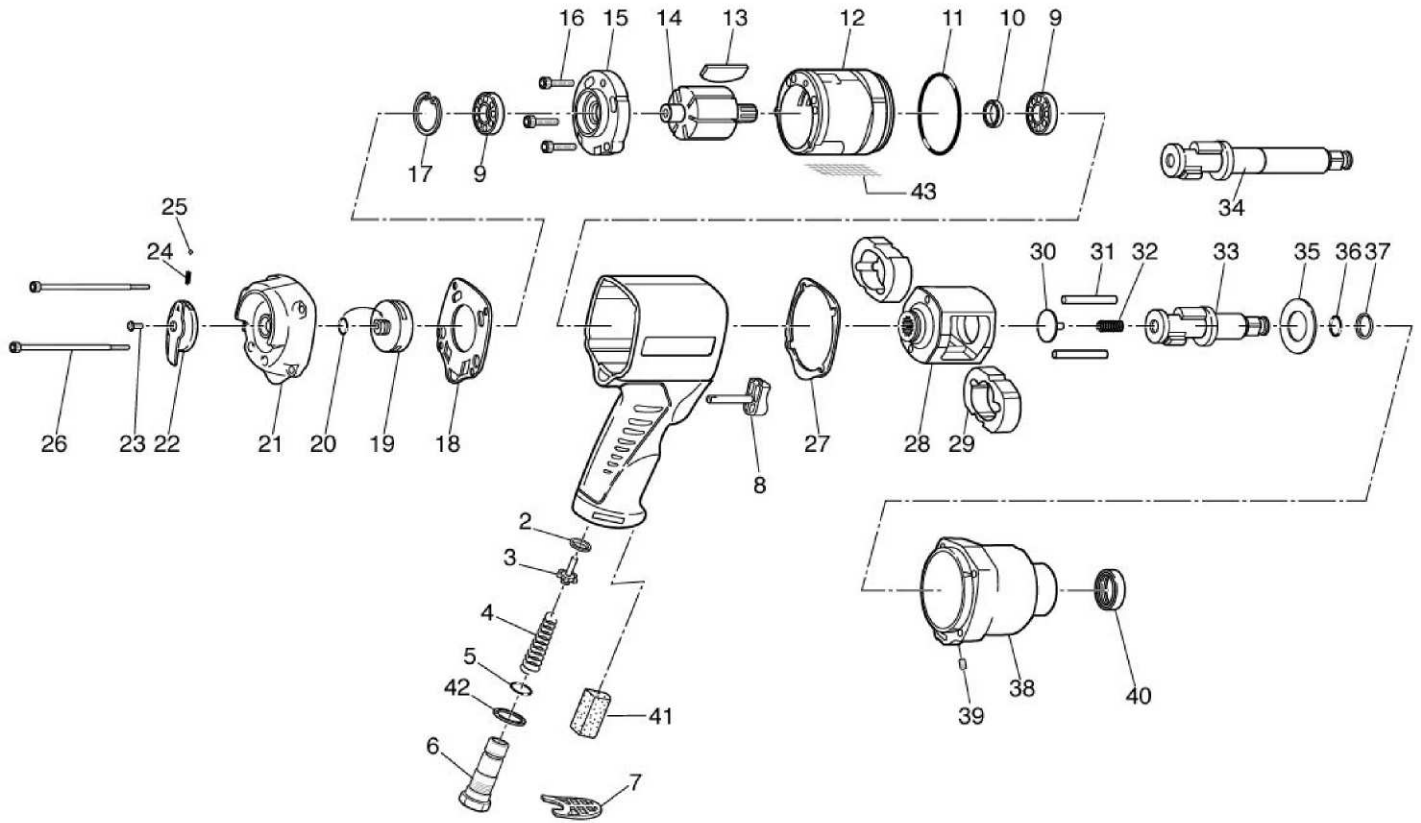


EXPLODED VIEW

KW-19X



REF.NO.	PART NO.	PART NAME	Q'TY	REF.NO.	PART NO.	PART NAME	Q'TY
1	0119X81A	MOTOR CASE C.P.	1	29	0118M28	HAMMER	2
(1)	0119X81AN	MOTOR CASE C.P. (NPT)	1	30	0118M43	THRUST BUTTON	1
2	0119X10A	THROTTLE VALVE BUSHING	1	31	0118M29	PIN	2
3	0119X13A	THROTTLE VALVE PIN	1	32	0118M38	THRUST SPRING	1
4	0119X90	THROTTLE VALVE SPRING	1	33	0118M843	ANVIL C.P.	1
5	Z040P10A	O-RING	1	(33)	0118M843P	PIN ANVIL C.P.	1
6	0119X11	INLET BUSHING	1	34	0118M844	ANVIL C.P. LONG	1
(6)	0119X11N	INLET BUSHING (NPT)	1	35	0118M31	SPACER	1
7	0119X08	EXHAUST COVER	1	36	0114M251	O-RING	1
8	0119X12	THROTTLE LEVER	1	37	0114M252	RETAINER RING	1
9	0119X241	BALL BEARING	2	38	0119X82	IMPACT HOUSING C.P.	1
10	0114M031	OIL SEAL	1	39	0118M013	OIL PLUG	1
11	0118M175	O-RING	1	40	0119X022	OIL SEAL	1
12	0119X20	CYLINDER	1	41	0119X40	MUFFLER	1
13	0119X22	ROTOR BLADE	6	42	0119X41	WASHER	1
14	0119X21	ROTOR	1	43	0119X201	NET	1
15	0119X24	REAR END PLATE	1	44	0119X961	NUMBER PLATE	1
16	Z0664X20	BOLT	3				
17	Z03128	STOP RING	1				
18	0119X06B	GASKET	1				
19	0119X15	REVERSE REGULATOR	1				
20	Z040P8	O-RING	1				
21	0119X03	CASE COVER	1				
22	0119X16	REVERSE LEVER	1				
23	Z0824X10	SCREW	1				
24	0119X162	SPRING	1				
25	0118M164	STEEL BALL	1				
26	0119X032	BOLT	4				
27	0119X07	GASKET	1				
28	0118M26	IMPACT CAGE	1				



KUKEN CO., LTD.

3-6-15 Nonoue, Habikino-shi, Osaka 583-0871, Japan

Tel : +81-72-953-3346 Fax : +81-72-953-0605

2010/12/06